

WORKSTAR 640 OPEN LAUNCH



Dimensions:

LOA 6.40m

LWL 5.14m

Beam 2.50m

Draft 0.25m

FIRE AND RESCUE LAUNCH FOR IRAQ

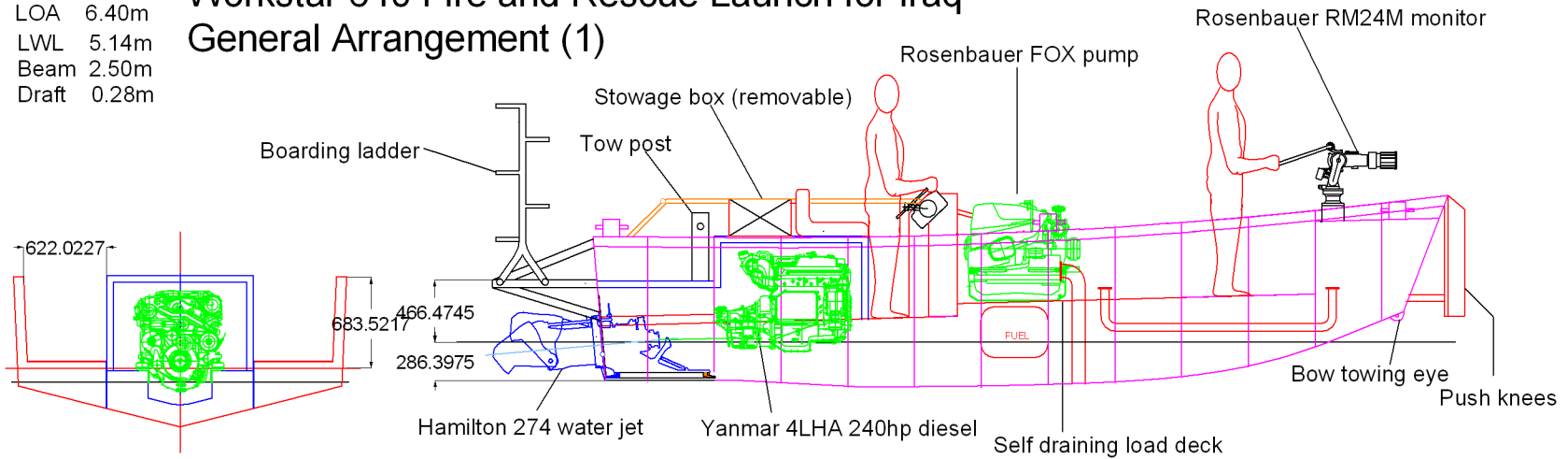
Working Boats UK Ltd
for Jordan Boats Industries Co. Ltd

WS 640

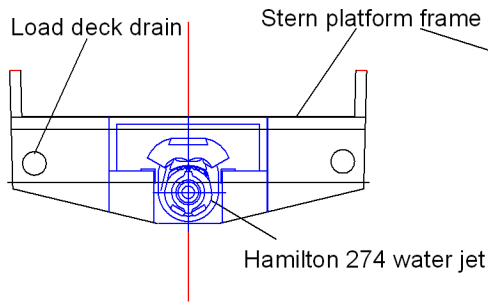
17. 03.2004

Dimensions:
 LOA 6.40m
 LWL 5.14m
 Beam 2.50m
 Draft 0.28m

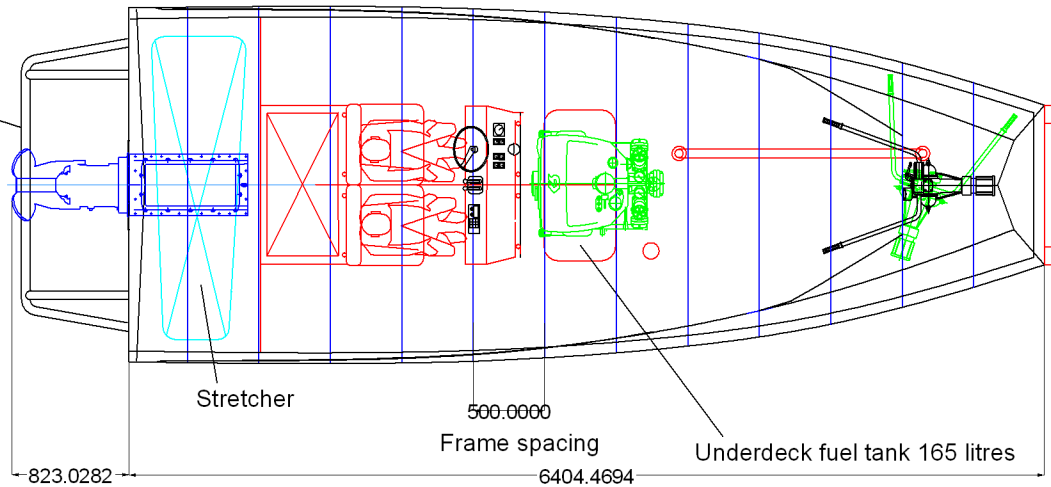
Workstar 640 Fire and Rescue Launch for Iraq General Arrangement (1)



Engine box and walkway looking forward



Stern transom looking forward.
 Height of transom reduced for easy access of casualties from stern platform over jet



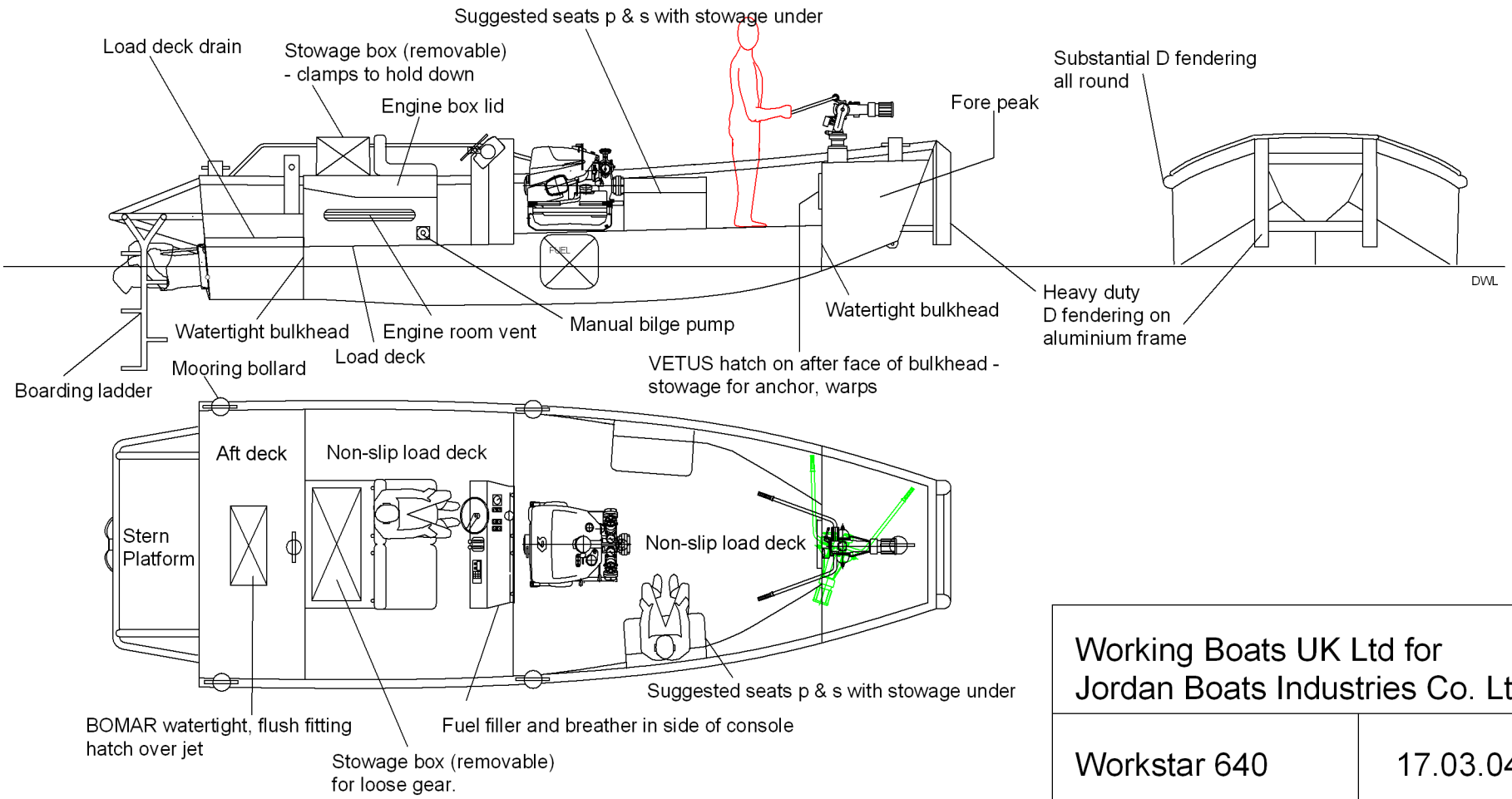
Notes:
 Final General Arrangement of fire equipment and systems to be discussed and agreed with client
 Bimini top over steering position omitted for clarity

Working Boats UK Ltd
 for Jordan Boats Industries Co. Ltd

Workstar 640

17.03.04

Workstar 640 Fire and Rescue Launch for Iraq General Arrangement (2) Bimini top/shelter not shown.

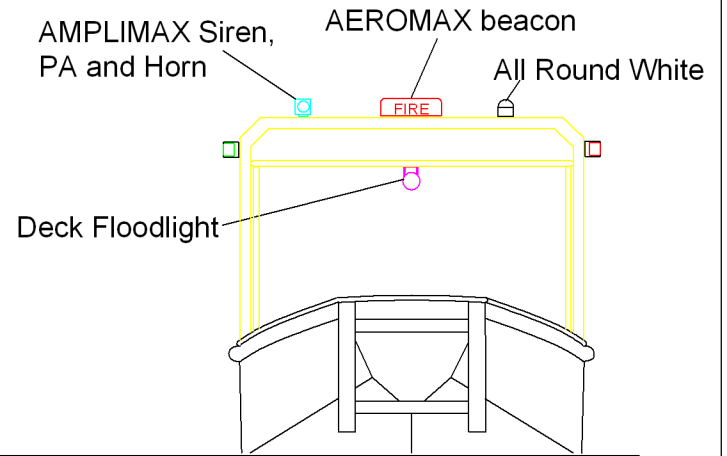
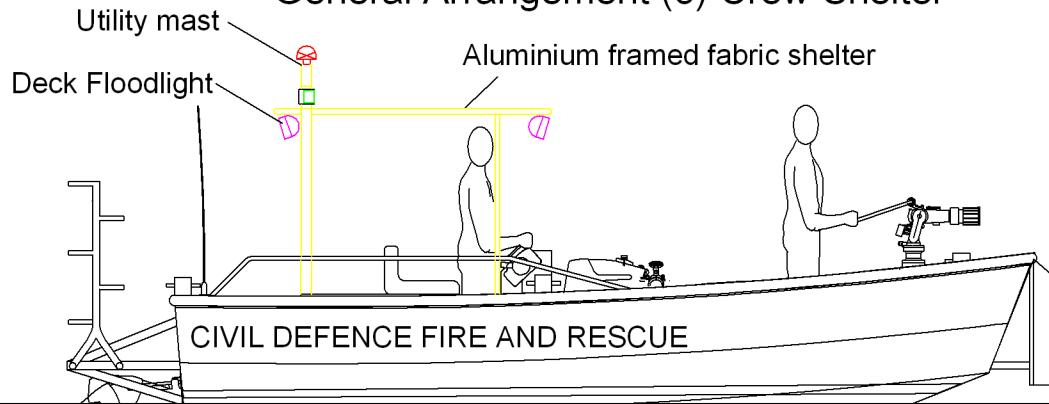


Working Boats UK Ltd for
Jordan Boats Industries Co. Ltd.

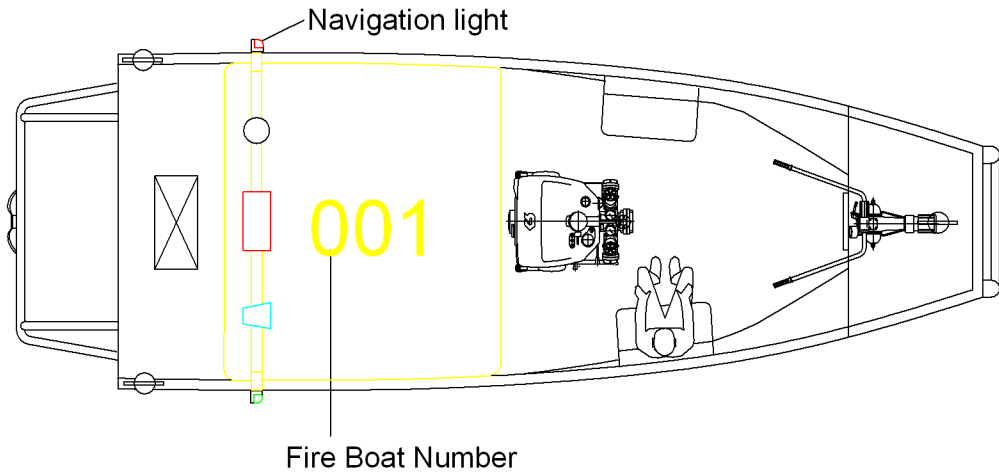
Workstar 640

17.03.04

Workstar 640 Fire and Rescue Launch for Iraq General Arrangement (3) Crew Shelter



DWL



Working Boats UK Ltd for
Jordan Boats Industries Co. Ltd.

Workstar 640

17.03.04