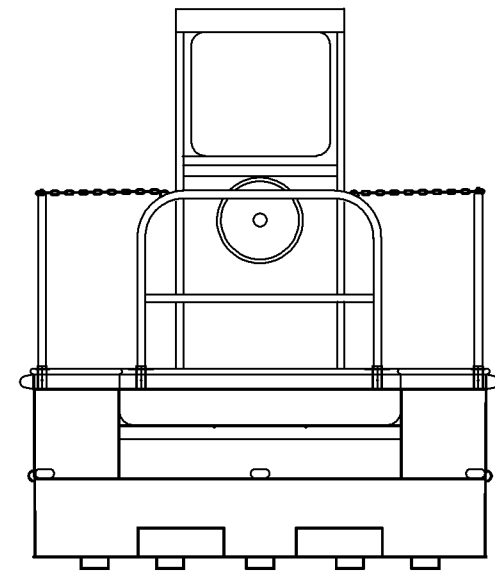
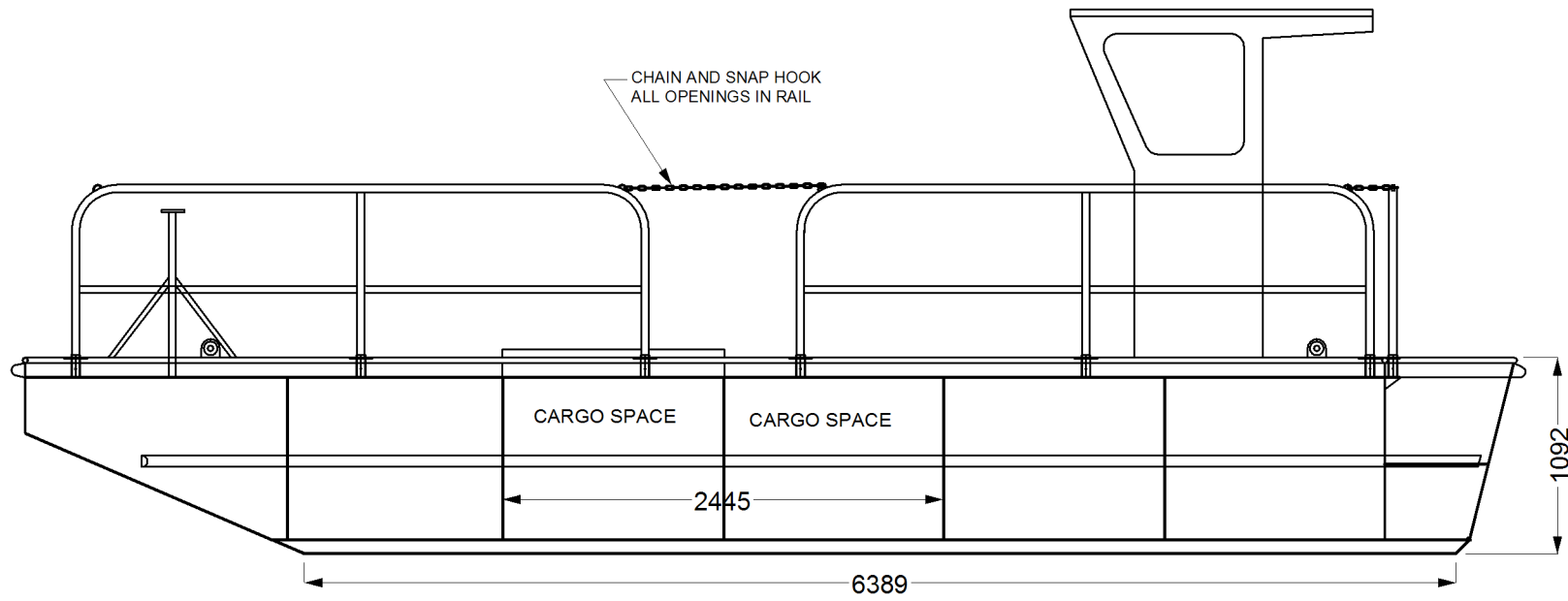


Dimensions:
 LOA: 8.23m
 Beam: 2.43m
 Draft: 0.20m
 Tank Capacity: 5000 litres
 Power: 2 x 90hp 4-stroke
 outboards



WORKSTAR 8.23m CAMELL BARGE
 DESIGN REV: GENERAL ARRANGEMENT
 COPYRIGHT: WORKING BOATS UK LTD